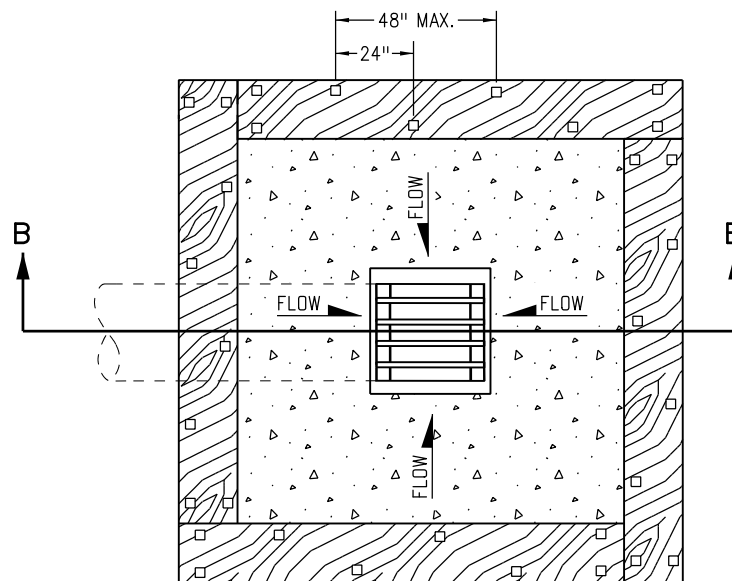
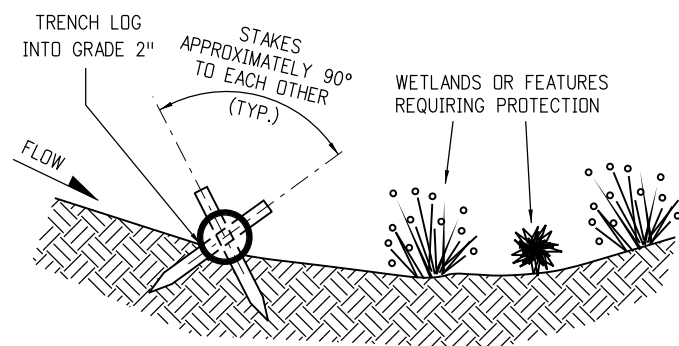


**PLAN VIEW**

EROSION LOGS PAY ITEMS	
NUMBER	DESCRIPTION
208-00012	TYPE 1 (9")
208-00002	TYPE 1 (12")
208-00013	TYPE 1 (20")
208-00007	TYPE 2 (8")
208-00008	TYPE 2 (12")
208-00009	TYPE 2 (18")

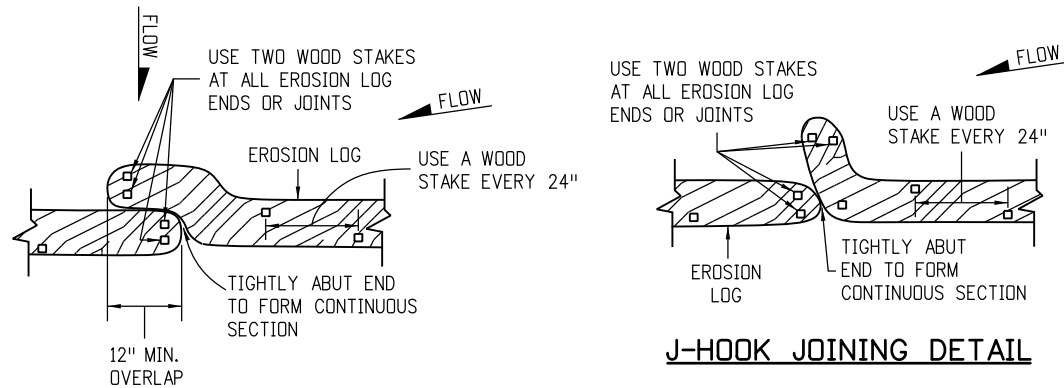


**PLAN VIEW**



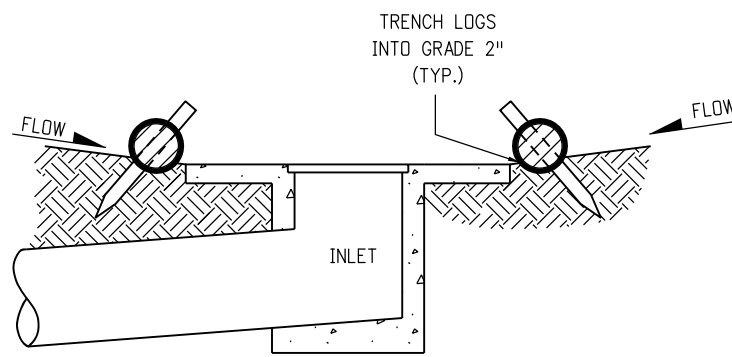
**SECTION A-A**

**TYPICAL STAKE INSTALLATION**



**OVERLAP JOINING DETAIL**

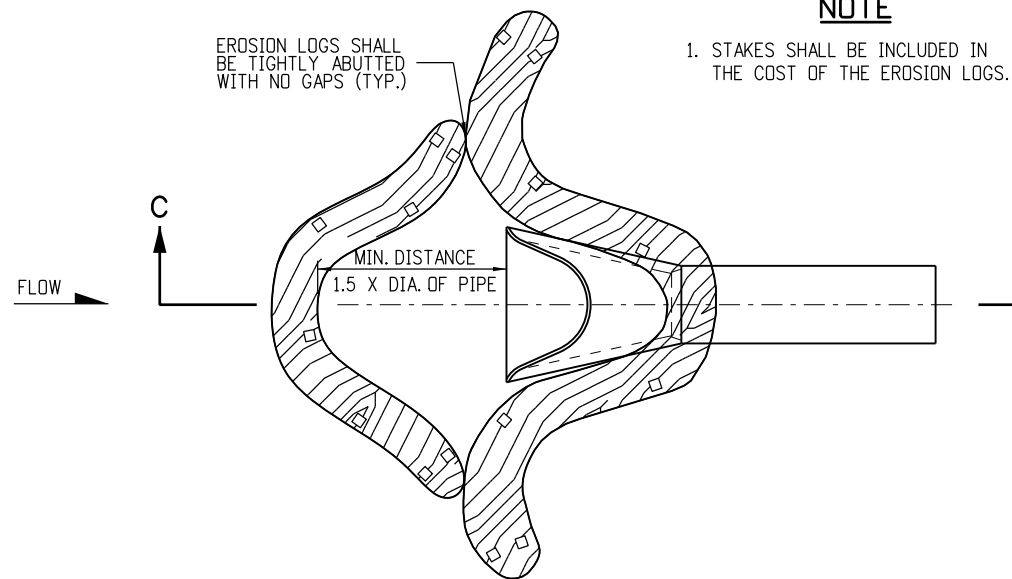
**J-HOOK JOINING DETAIL**



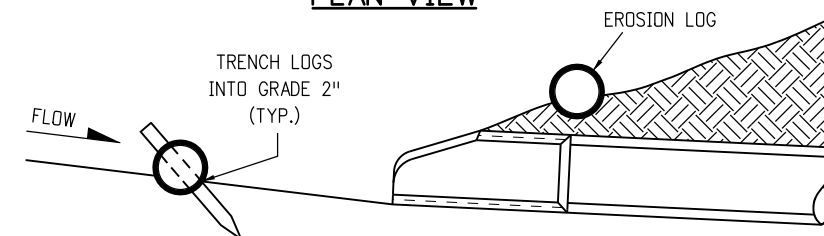
**SECTION B-B**

**EROSION LOG FILTER AT DROP INLET**

NOTE: LOCATE EROSION LOGS AT THE OUTSIDE EDGE OF THE CONCRETE APRON.

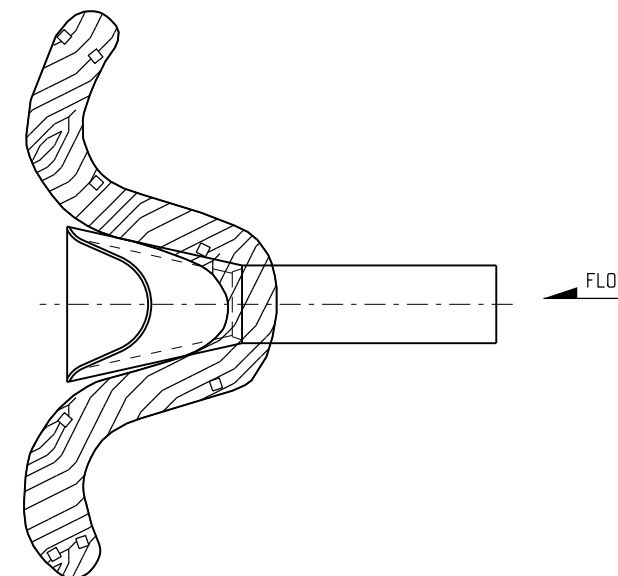


**PLAN VIEW**



**SECTION C-C**  
(NOT ALL LOGS SHOWN)

**EROSION LOG CULVERT INLET PROTECTION**



**EROSION LOG CULVERT OUTLET PROTECTION**

**NOTE**

1. STAKES SHALL BE INCLUDED IN THE COST OF THE EROSION LOGS.

**EROSION LOG APPLICATIONS**

**JOINING EROSION LOG APPLICATIONS**

Computer File Information	
Creation Date: 07/04/12	Initials: JK
Last Modification Date: 02/25/16	Initials: LTA
Full Path: www.coloradodot.info/business/designsupport	
Drawing File Name: 2080102011.dgn	
CAD Ver.: MicroStation V8 Scale: Not to Scale Units: English	

Sheet Revisions	
Date:	Comments
02/25/16	Minor revisions to some dimensions. Added Erosion Logs Pay Item table.
(R-X)	
(R-X)	
(R-X)	
(R-X)	

Colorado Department of Transportation  
 4201 East Arkansas Avenue  
 CDOT HQ, 4th Floor  
 Denver, CO 80222  
 Phone: 303-757-9021 FAX: 303-757-9868  
 Division of Project Support JK/LTA

**TEMPORARY  
 EROSION CONTROL**  
 Issued By: Project Development Branch on July 4, 2012

STANDARD PLAN NO.  
 M-208-1  
 Sheet No. 2 of 11